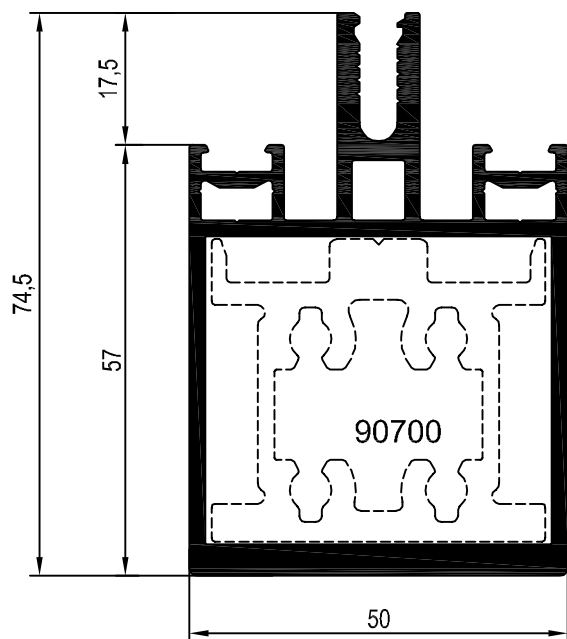


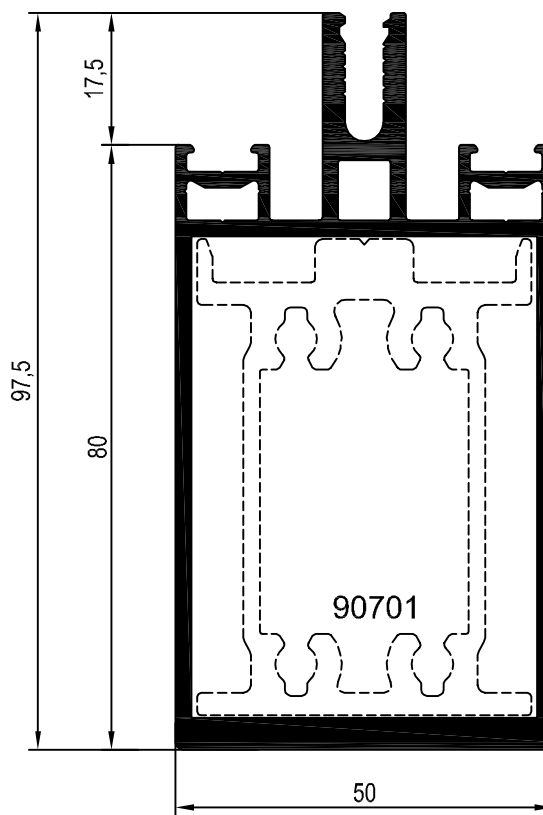


90101



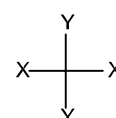
$I_x = 42.361 \text{ см}^4$
 $I_y = 20.247 \text{ см}^4$
 $W_x = 10.133 \text{ см}^3$
 $W_y = 8.098 \text{ см}^3$
 $R_H = 344.3 \text{ мм}$

90102



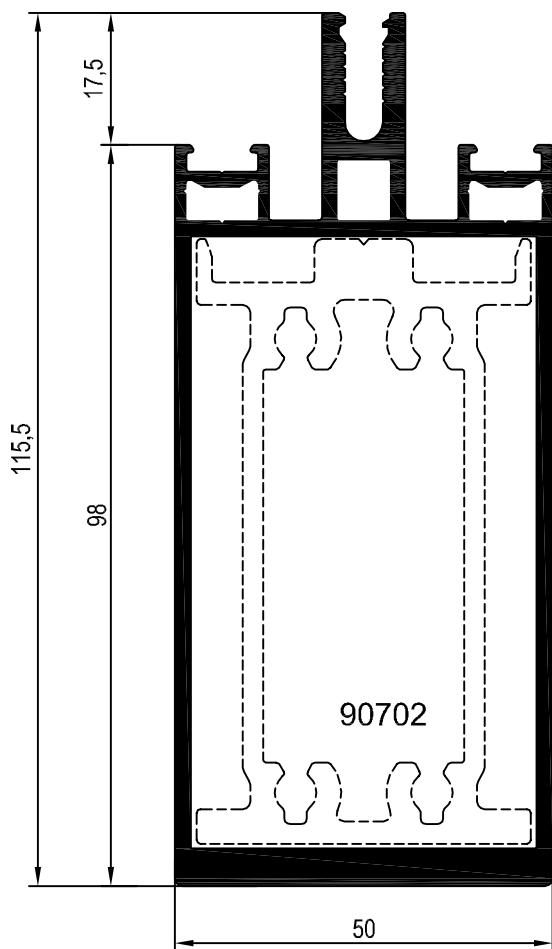
$I_x = 89.820 \text{ см}^4$
 $I_y = 25.792 \text{ см}^4$
 $W_x = 17.219 \text{ см}^3$
 $W_y = 10.315 \text{ см}^3$
 $R_H = 390.3 \text{ мм}$

M 1:1



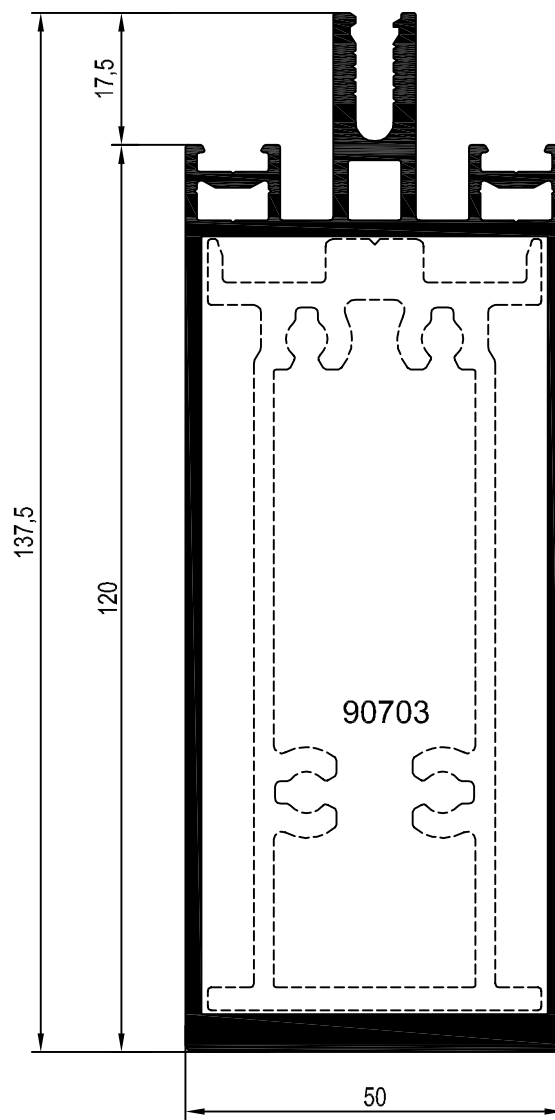


90103



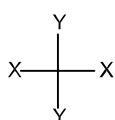
$I_x = 151.151 \text{ см}^4$
 $I_y = 30.772 \text{ см}^4$
 $W_x = 24.230 \text{ см}^3$
 $W_y = 12.307 \text{ см}^3$
 $R_H = 426.3 \text{ мм}$

90104



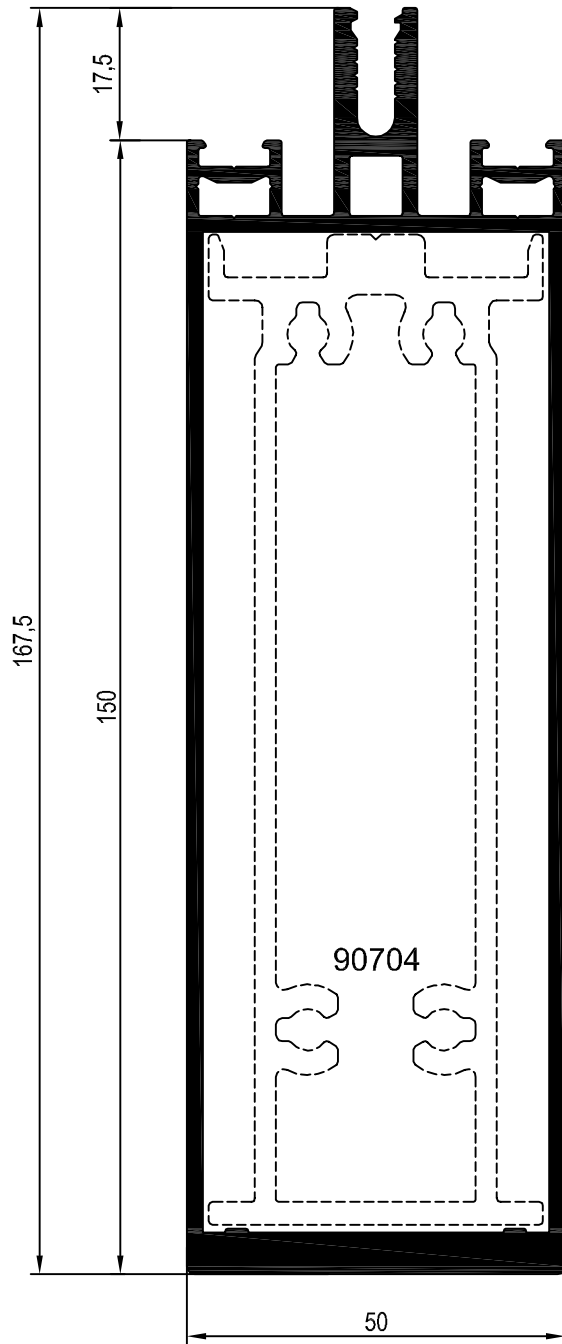
$I_x = 239.969 \text{ см}^4$
 $I_y = 36.075 \text{ см}^4$
 $W_x = 32.925 \text{ см}^3$
 $W_y = 14.429 \text{ см}^3$
 $R_H = 470.3 \text{ мм}$

М 1:1





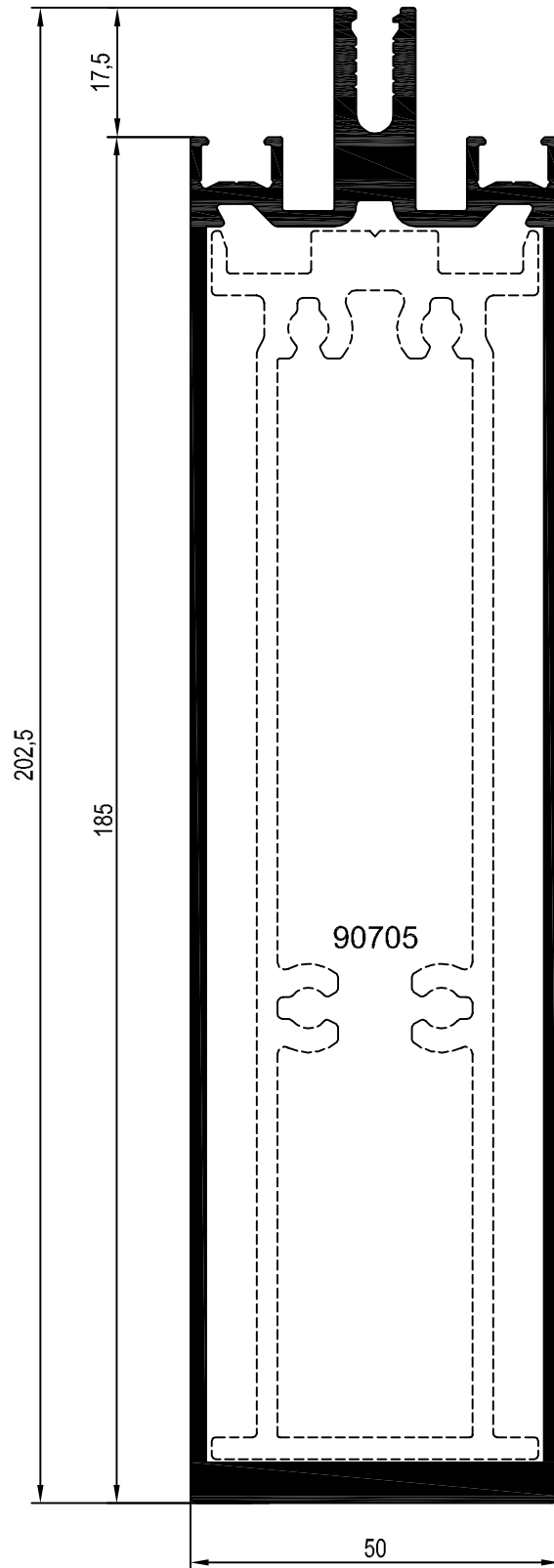
90105



90704

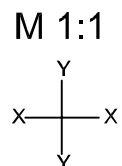
$I_x = 416.317 \text{ см}^4$
 $I_y = 43.807 \text{ см}^4$
 $W_x = 46.806 \text{ см}^3$
 $W_y = 17.521 \text{ см}^3$
 $R_H = 530.3 \text{ мм}$

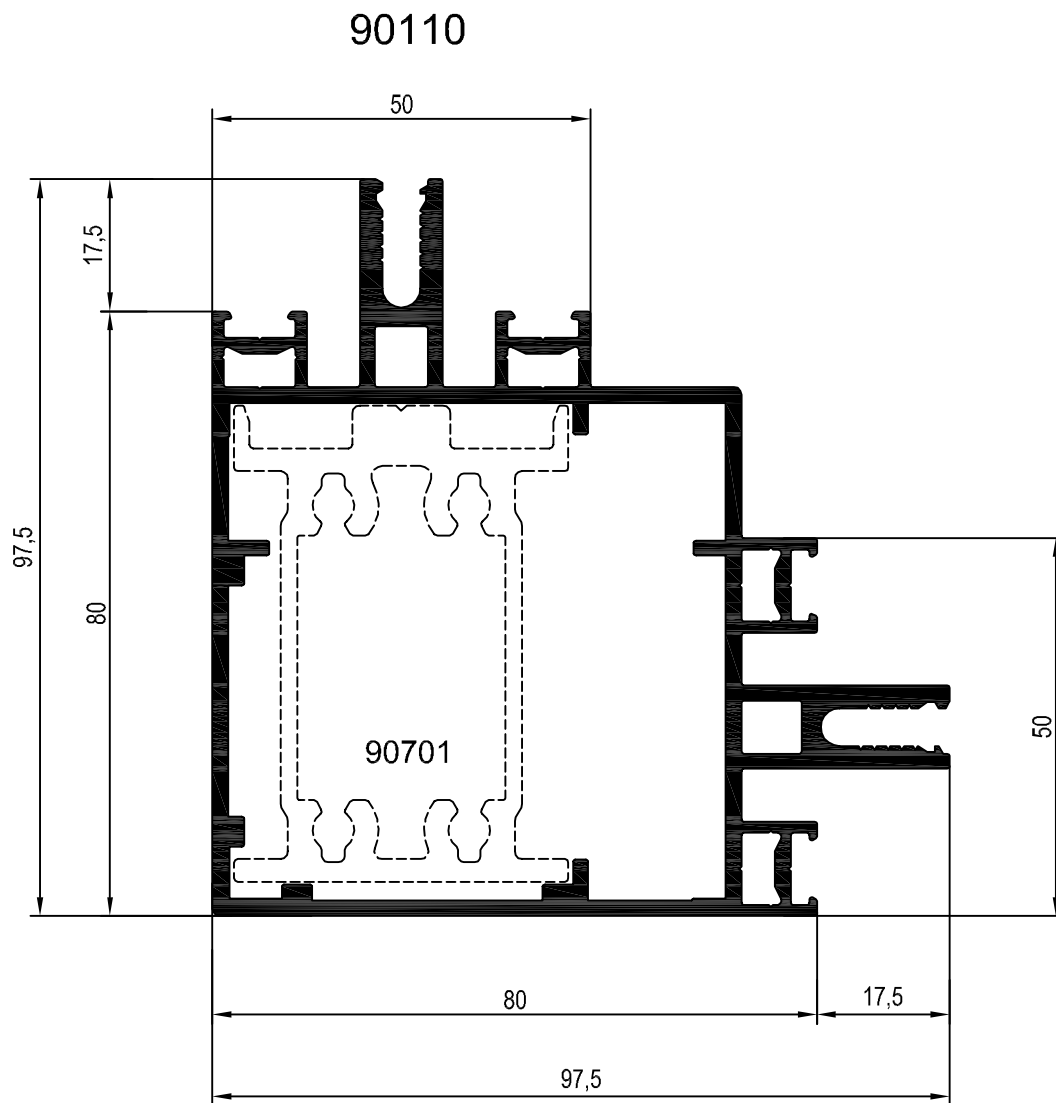
90106



90705

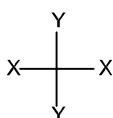
$I_x = 700.995 \text{ см}^4$
 $I_y = 52.255 \text{ см}^4$
 $W_x = 67.520 \text{ см}^3$
 $W_y = 20.900 \text{ см}^3$
 $R_H = 615.9 \text{ мм}$

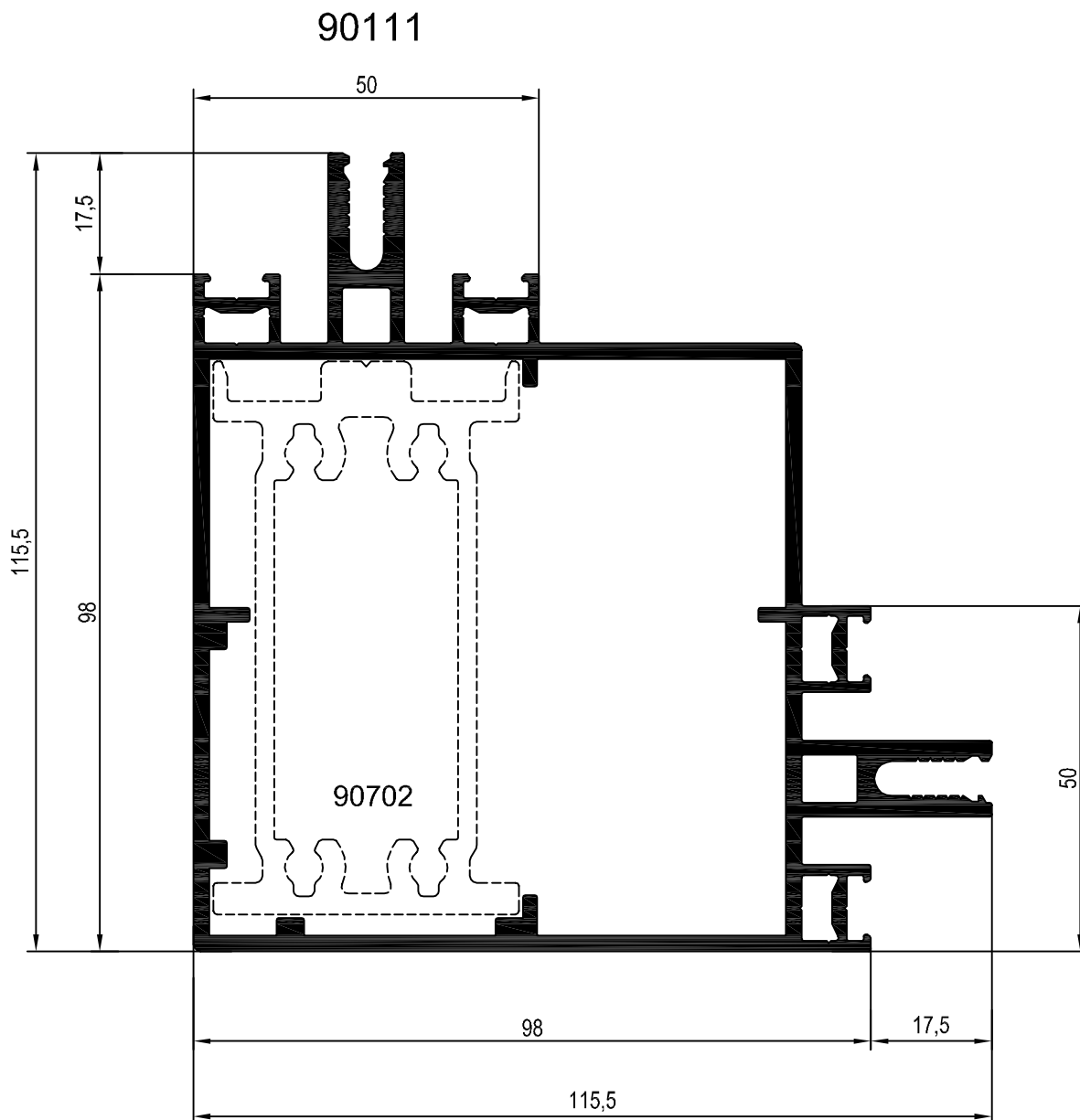




$I_x = 103.636 \text{ см}^4$
 $I_y = 103.636 \text{ см}^4$
 $W_x = 18.819 \text{ см}^3$
 $W_y = 18.819 \text{ см}^3$
 $R_H = 581.5 \text{ мм}$

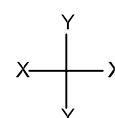
М 1:1

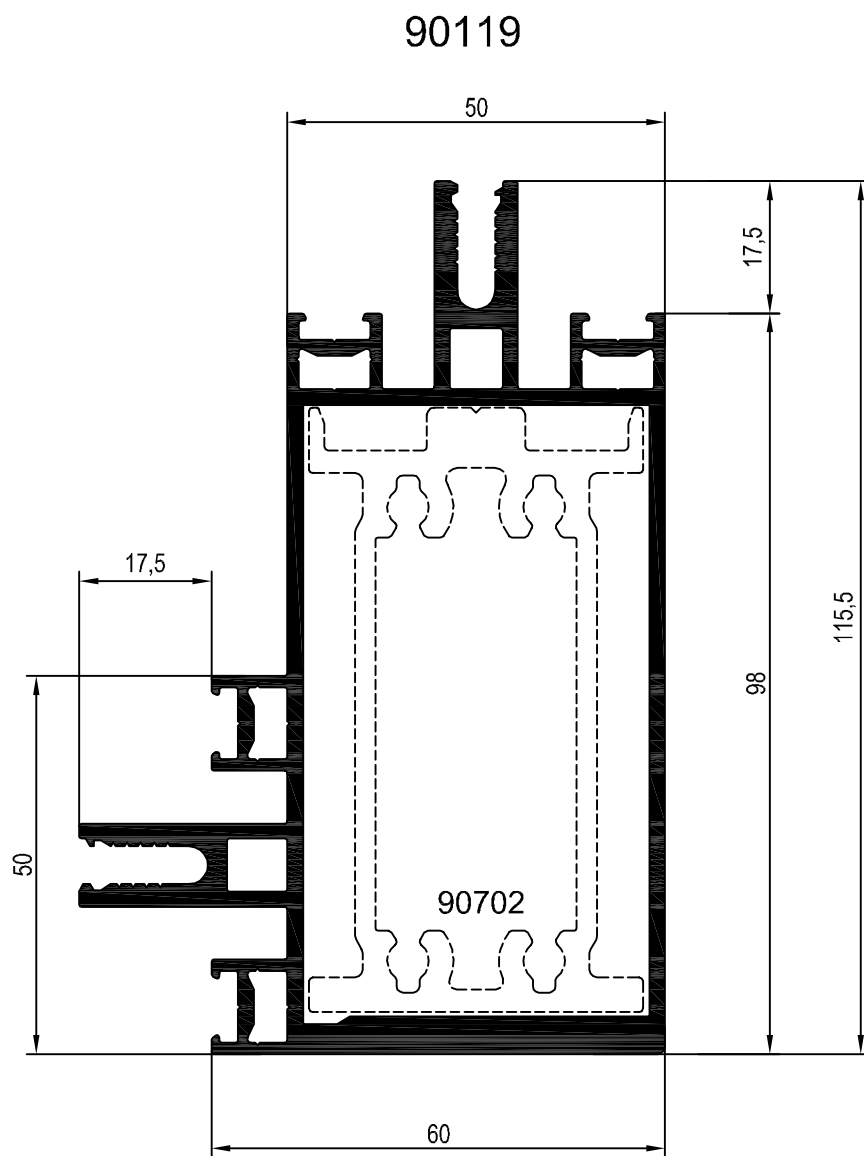




$I_x = 190.271 \text{ см}^4$
 $I_y = 190.271 \text{ см}^4$
 $W_x = 28.966 \text{ см}^3$
 $W_y = 28.966 \text{ см}^3$
 $R_H = 653.6 \text{ мм}$

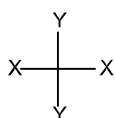
M 1:1

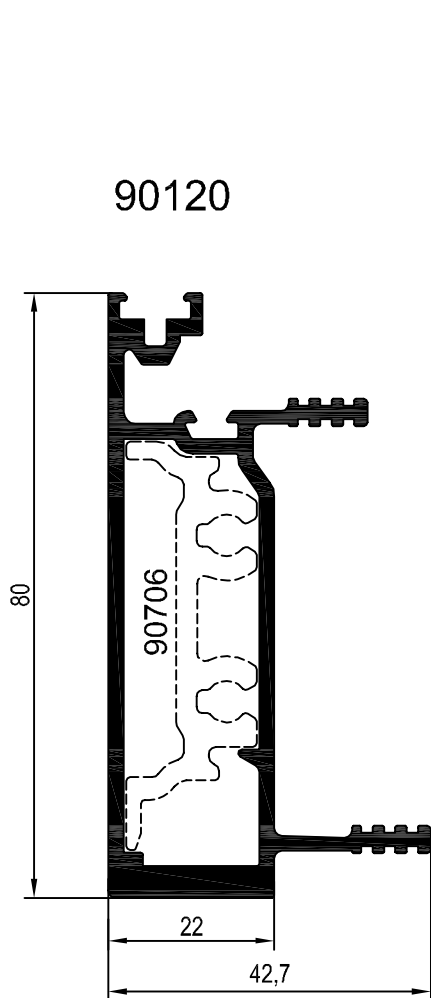




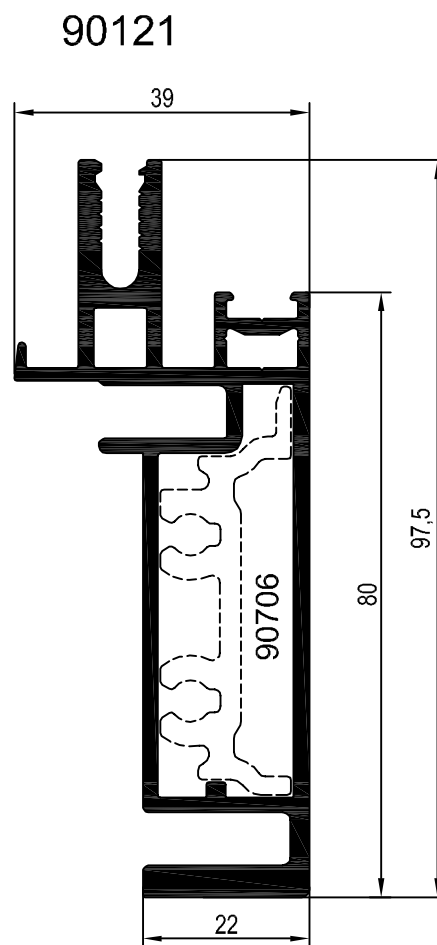
$I_x = 170.097 \text{ см}^4$
 $I_y = 57.768 \text{ см}^4$
 $W_x = 24.951 \text{ см}^3$
 $W_y = 12.846 \text{ см}^3$
 $R_H = 578.1 \text{ мм}$

M 1:1



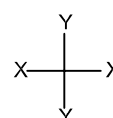


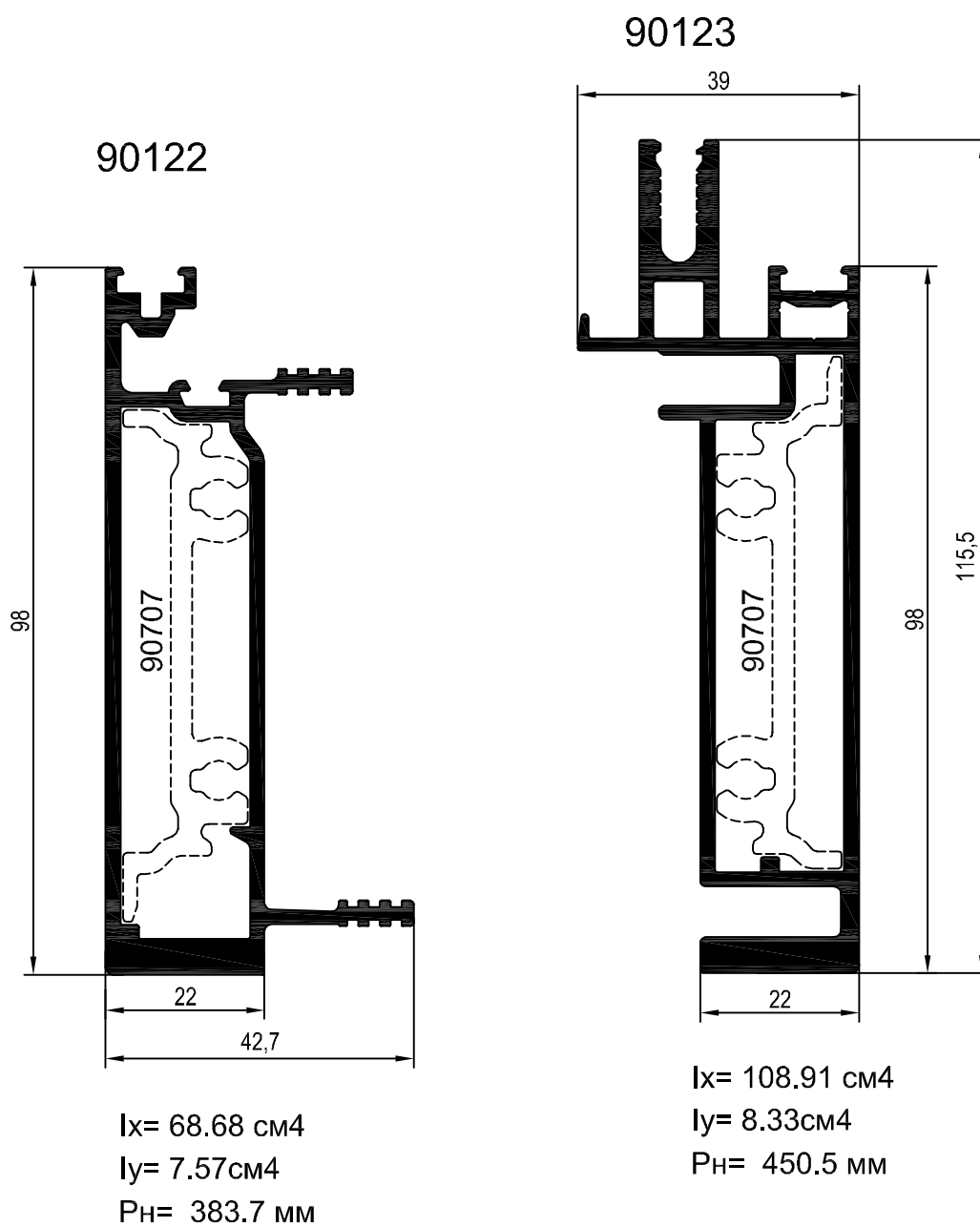
$I_x = 38.36 \text{ см}^4$
 $I_y = 6.76 \text{ см}^4$
 $R_H = 347.7 \text{ мм}$



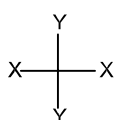
$I_x = 64.53 \text{ см}^4$
 $I_y = 7.43 \text{ см}^4$
 $R_H = 415.5 \text{ мм}$

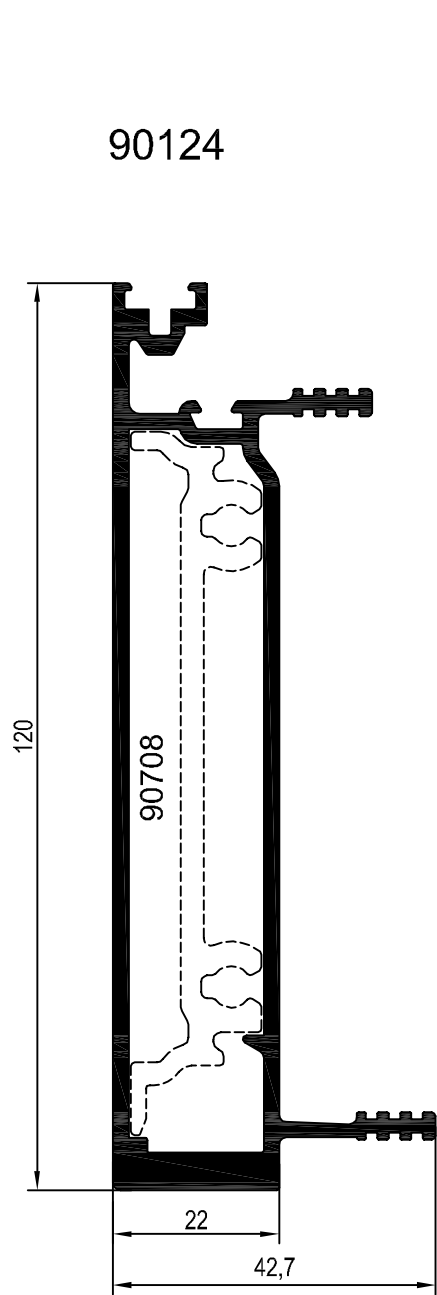
M 1:1



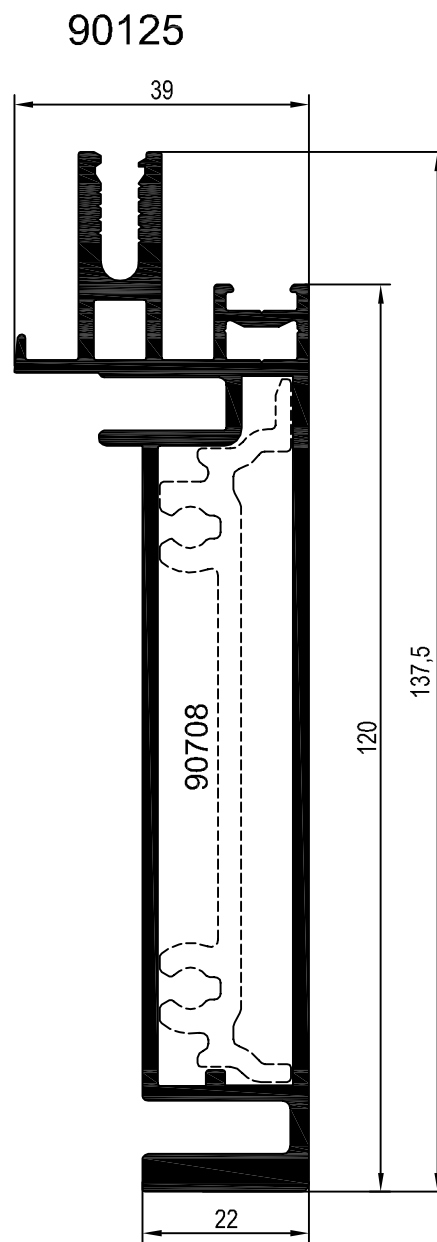


M 1:1



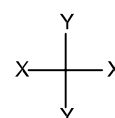


$I_x = 118.51 \text{ см}^4$
 $I_y = 8.50 \text{ см}^4$
 $R_H = 427.7 \text{ мм}$



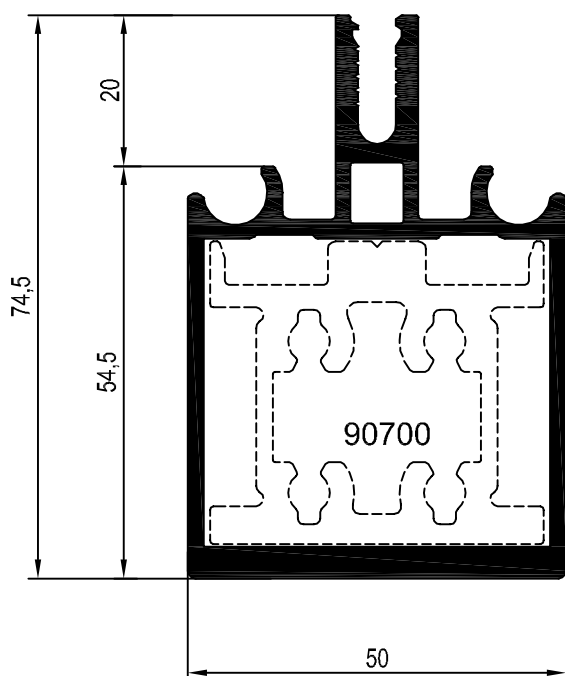
$I_x = 177.26 \text{ см}^4$
 $I_y = 9.33 \text{ см}^4$
 $R_H = 494.5 \text{ мм}$

M 1:1



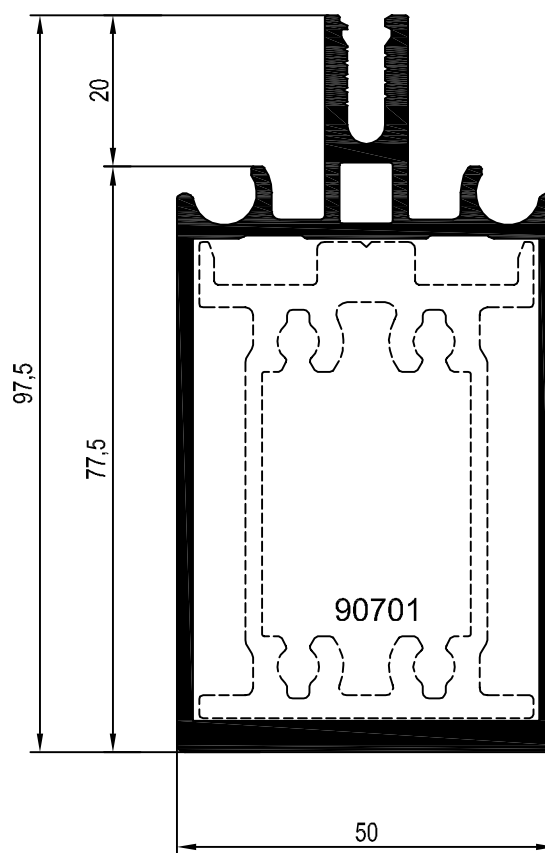


90112



$I_x = 40.106 \text{ см}^4$
 $I_y = 18.405 \text{ см}^4$
 $W_x = 9.294 \text{ см}^3$
 $W_y = 7.361 \text{ см}^3$
 $R_H = 320.4 \text{ мм}$

90113



$I_x = 85.061 \text{ см}^4$
 $I_y = 23.949 \text{ см}^4$
 $W_x = 15.787 \text{ см}^3$
 $W_y = 9.579 \text{ см}^3$
 $R_H = 366.4 \text{ мм}$

M 1:1

